

**ANTHONY**  
LIFTGATES, INC.®

**MTU-GLR-WR**



## MAGNUM TUCKUNDER™

LIFTING CAPACITIES (LBS): 3000, 4000

### KEY ADVANTAGES

- 1. Walk Ramp Ready**  
Allows easy access to a walk ramp without lowering the liftgate.
- 2. GLR - Gentle Level Ride**  
Smooth, level up-down operation. Platform tilts gently at ground and re-levels before lifting cycle begins.
- 3. Lifetime-Warranty Service Free Bushings**  
Used at all critical pivot points to reduce wear without the need for routine lubrication.
- 4. Aluminum Wedge Platform**  
Large wedge design provides plenty of space and easy loading for all types of cargo.
- 5. Power Down**  
Reliable cycle time in all weather conditions.



**QUALITY, RELIABILITY, CUSTOMER SERVICE**

**MADE IN THE USA** 

## STANDARD FEATURES

- **Spring Assist Platform**  
Torsion springs provide effortless platform operation.
- **Ground Contact Rollers**  
Rollers prevent scraping damage to liftgate and concrete or asphalt.
- **HD Mechanical Safety Latch**  
Redundant-system stowage in addition to hydraulic lock.
- **Max Duty Dock Bumpers**  
Protects liftgate from contact with dock. Includes rubber bumpers.
- **EZ Mount**  
Ships factory assembled, filled, and tested for easy installation. Bolt-on-ready floor extension & bumpers.
- **Circuit Protection**  
200 Amp fuse protects truck wiring from a "dead short."
- **CHS - Centralized Hydraulic System**  
All sensitive hydraulic and electrical components housed safely within the stainless steel pump box.
- **Marine Duty Potted Toggle Switch**  
Heavy duty toggle, potted to permanently separate and seal electrical connections from corrosion.
- **Industry-Leading Warranty**  
3 years mechanical + 3 years electrical & hydraulic, parts and labor.
- **Pressure Compensated Flow Valve**  
Constant, controlled speeds at all times. Prevents "free-fall" under certain hydraulic failures.
- **Cab Cutoff Switch**  
Prevents unauthorized liftgate operation.
- **Premium Polymer Finish**  
Steel components are washed, shot blast prepped, and coated for a long-lasting finish.

# QUALITY COMES STANDARD

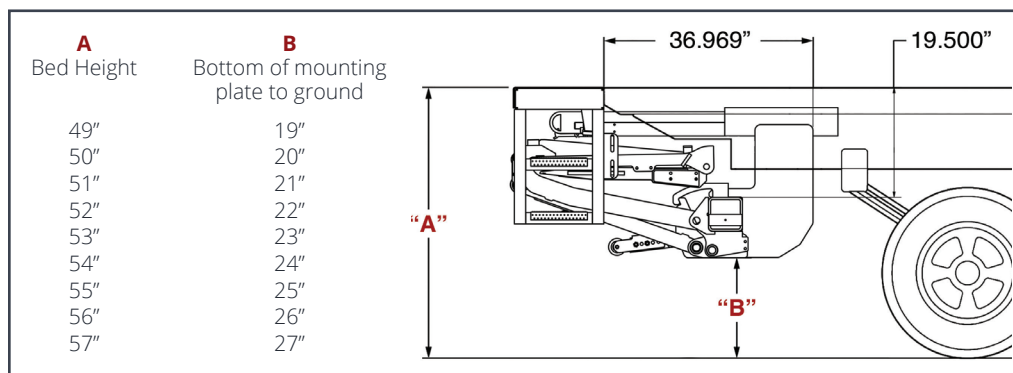
## AVAILABLE MODELS, PLATFORMS AND CAPACITIES

Model	MTU-GLR-WR-3	MTU-GLR-WR-4
Bed Height Range	49" - 56"	
Capacity (lbs)	3000	4000
Available Platforms		
All Aluminum 80" x 60" Wedge		

## OPTIONS

- Wireless, removable handheld corded, flush mount, or dual control options.
- Stainless steel toggle switch guard
- Stainless steel battery box
- Auxiliary power systems
- Third step add-on for dock bumper
- Galvanized finish with extended warranty
- ICC bumper - trailer certified
- Dual, foot-operated cart stops

## TRUCK MOUNTING REQUIREMENTS



**Bill's Auto & Truck Repair**  
complete mechanical service

**Bill's Auto & Truck Repair**  
sales@billsautoandtruckrepair.com  
www.billsautoandtruckrepair.com  
1216 Rand Road  
Des Plaines, IL 60016  
**Phone: (847) 296-3166**