

**ANTHONY**  
LIFTGATES, INC.®

**ALB**



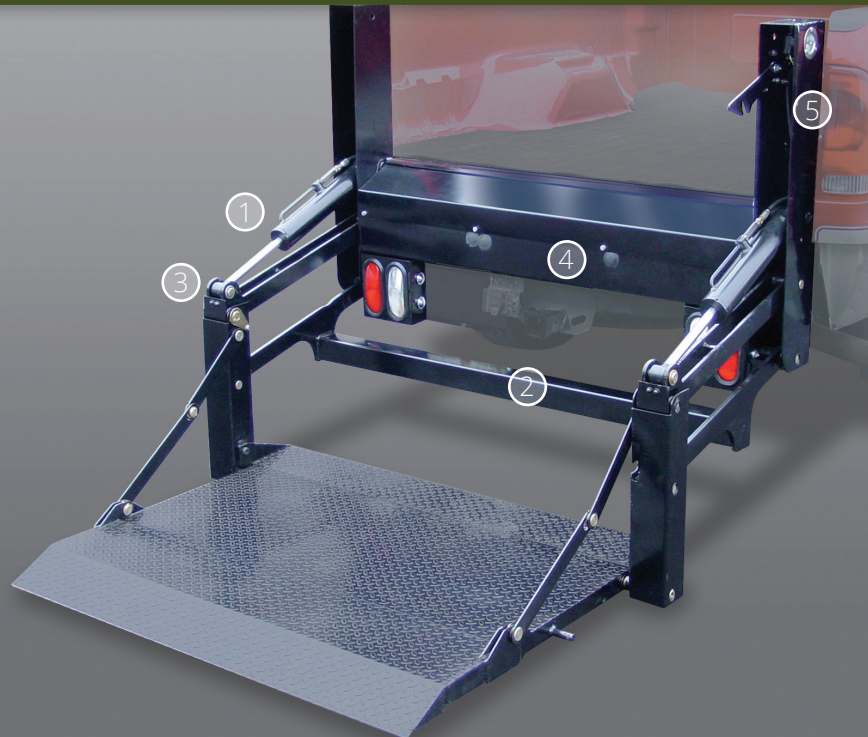
\* Shown with optional galvanized finish, aluminum platform, and step kit.

## PICKUP SERIES

LIFTING CAPACITIES (LBS): 1500

### KEY ADVANTAGES

- 1. Twin Cylinder Drive**  
Cylinders provide powerful lifting at low hydraulic pressures for extended hydraulic system life.
- 2. Stabilizer Beam**  
Minimizes lift sway and doubles as a step.
- 3. Lifetime-Warranty Service Free Bushings**  
Used at all critical pivot points to reduce wear without the need for routine lubrication.
- 4. Spare Tire Access**  
Spare tire accessible through two holes in rear frame.
- 5. Marine Duty Potted Toggle Switch**  
Heavy duty toggle, potted to permanently separate and seal electrical connections from corrosion.



**QUALITY, RELIABILITY, CUSTOMER SERVICE**

**MADE IN THE USA** 

# BUILT FOR WORK

**A work truck should be tough.** To be sure ALB is up to the task, we endurance tested it to 100,000 cycles at maximum capacity. The result: zero failure, and no visible signs of wear to critical pivot points. **THAT is Anthony quality.**

## STANDARD FEATURES

- **Anthony 3-Step Powder Coat**  
Steel components are washed, shot blast prepped, and coated with premium finish.
- **EZ Mount**  
Ships factory assembled, filled, and tested.
- **Industry-Leading Warranty**  
2 years mechanical + 2 years electrical & hydraulic, parts and labor.
- **Circuit Protection**  
200 Amp fuse protects truck wiring from a "dead short".
- **Pressure Compensated Flow Valve**  
Constant, controlled speeds at all times. Prevents "free-fall" under certain hydraulic failures.
- **Easy Access Power Unit**  
Accessible through steel panel on top of rear bumper housing.
- **Universal Mount**  
Fits most full size domestic or foreign pickups, and most utility bodies. Designed to allow clearance with most hitch assemblies.

## QUALITY COMES STANDARD

### AVAILABLE PLATFORMS

Platform Type	Load Area + Ramp
Steel Ramped	50" x 41" + 6"
Aluminum Ramped	50" x 41" + 6"
Steel Bar Grate with Tire Rack	50" x 22"

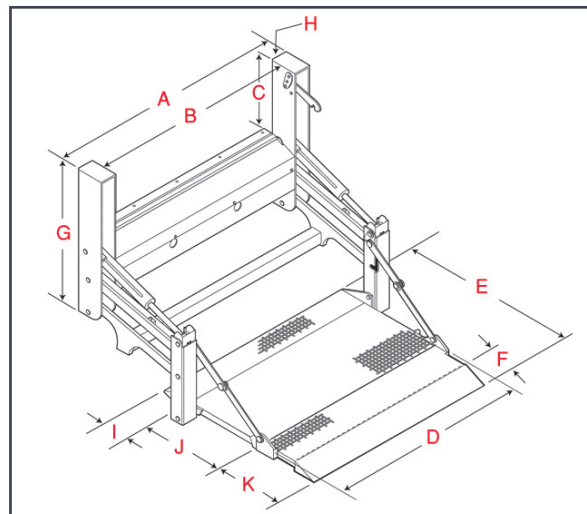
### OPTIONS

- Galvanized finish with extended warranty
- Wireless, removable handheld corded, or dual control options.
- Access step kit
- Light kit
- Cab cutoff switch
- Utility body mounting kit

### ALB DIMENSIONS

Bed Height Range Up to 46"

A	61.7"
B	52.5"
C	19.5"
D	50"
E	46"
F	5"
G	36.75"
H	4.6"
I	7.3"
J	21.8"
K	16.9"



**Bill's Auto & Truck Repair**  
complete mechanical service

**Bill's Auto & Truck Repair**  
sales@billsautoandtruckrepair.com  
www.billsautoandtruckrepair.com  
1216 Rand Road  
Des Plaines, IL 60016  
Phone: (847) 296-3166